

QUIZIZZ

UNIT 3

15 Questions

NAME : _____

CLASS : _____

DATE : _____

1.



What's this?

- a) It's a pen.
 c) It's a book.

- b) It's a ruler.
 d) It's a pencil.

2.



The book is on the

- a) chair.

- b) desk.

3.



I love my

- a) chair.
 c) notebook.

- b) book.
 d) desk.

4.



There are ... sharpeners.

a) three

c) four

b) two

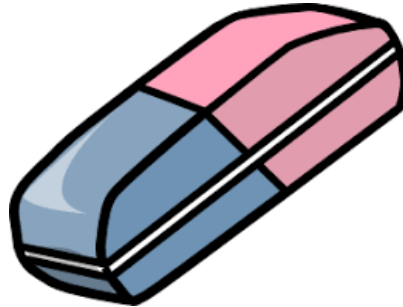
d) five

5. It's a pencil.

a)



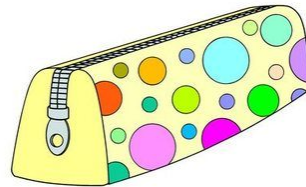
b)



c)



d)



6.



a) SCHOOL

c) SCHOOLBAG

b) BAG

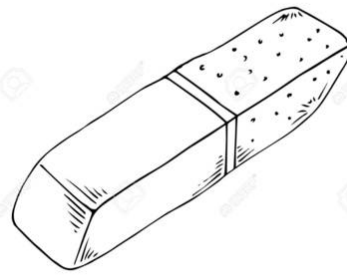
d) COOL

7. NOTEBOOK

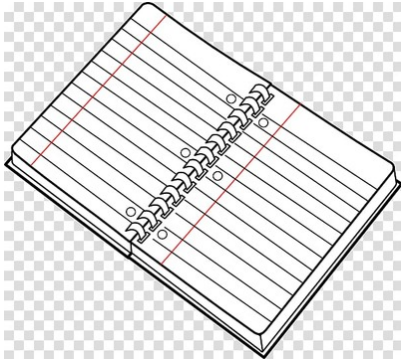
a)



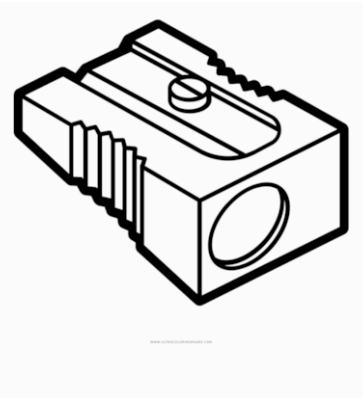
b)



c)



d)

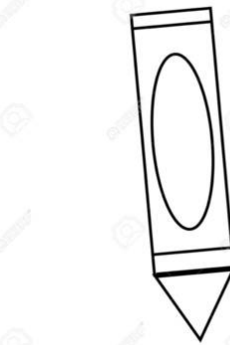


8. COLOR PENCILS

a)



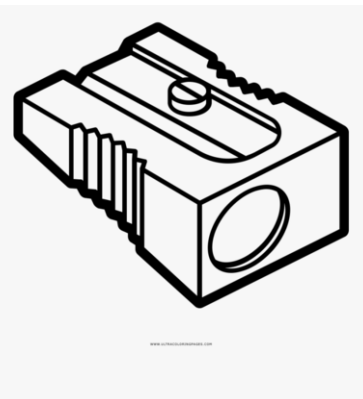
b)



c)



d)



9.



a) tape

c) eraser

b) glue

d) Stapler

10. WHICH OF THIS OBJECTS IS A SCHOOL BAG?

a)



b)



c)



d)



11.



SHE IS A...

- a) DOCTOR
- b) ENGINEER
- c) DANCER
- d) TEACHER

12.



What is this?

- a) This is a computer.
- b) This is a pencil sharpener.
- c) This is a desk.
- d) This is a board.

13.



WHERE ARE THEY?

- a) PARK
- b) CLASSROOM.
- c) FARM.

14.



- a) tall and thin
- b) tall and short

15.

What's correct?



a) No bullying!

b) Do your best!

c) Raise your hand to speak!